

### Tools Required for Installation

- 1) Safety Glasses
- 2) Carpenters Pencil
- 3) Tape Measure
- 4) Utility Knife
- 5) Ladder
- 6) Drill
- 7) 5/16" Diameter Wall Anchors

### Please Note

*Installer must provide wall anchors. Be sure that wall anchors are compatible with the mounting surface and are rated to support the gross weight of the door that you are installing. Should you have any concerns please contact a registered structural engineer in your area.*

### INSTALLATION STEPS

**1** - Inspect the contents of your box to ensure that all necessary parts have been included using the packing list provided with your order.

**2** - Remove QuickMount® hardware from box. **IMPORTANT:** If door width is odd (3', 5', 7', etc...), pay special attention to the 1' section of hardware to determine if it has an extension tab or if it is recessed to accept the extension tab. If the 1' section has an extension tab, install it on the left side of the door opening. If it does not have the extension tab, install it on the right side of the door opening.

**3** - Once you have read and understood all installation instructions, install the QuickMount® in either wall mount or under lintel mount position, as shown in Figure 1 (5/16" wall anchors are recommended). After your QuickMount® bracket has been securely fastened to the mounting surface you are ready to begin hanging the PVC strips.

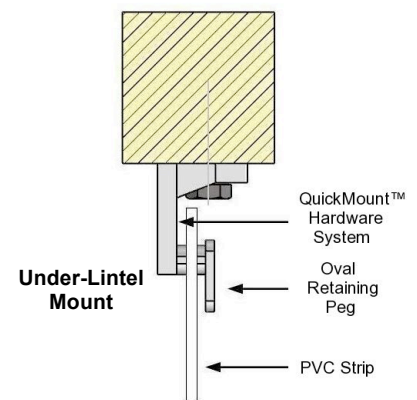
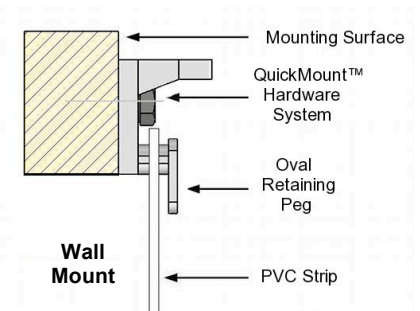
**4** - Before you begin hanging the strips it is important to note that each strip has a slight naturally occurring "concave" shape to the body of the material and should be accounted for during installation. Refer to Figure 2 for illustration. Please note the arrow engraved beside the mounting holes on the PVC strip.

**5** - Next, identify which pattern you will be using by finding the correct overlap percentage in the overlap configuration illustration, found on the next page.

**6** - Installation should be from left to right. Start by inserting the bottom of the oval shaped foot of the QuickMount® hardware system into the pre-punched hole. Then using a quick up and over motion press the strip securely on to the coinciding peg until the strip is completely installed. At this point be sure to alternate the concave sides of each strip as shown in Figure 2. This step is vital in obtaining the very best seal possible. Install the entire back row of strips, with the engraved arrow facing the left, and then install the front row of strips with the engraved arrow facing the right.

**7** - Lastly, trim each strip. Leave approximately 1/8" clearance from the floor.

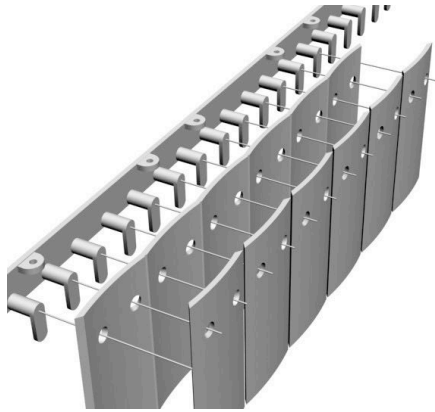
**Figure 1 – Mounting Options**



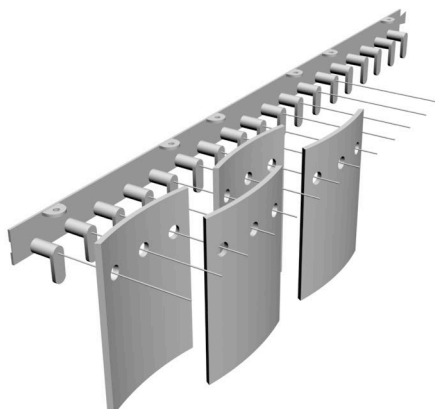
**Figure 2 – Concave/Convex Strips**

# Strip Overlap Guide

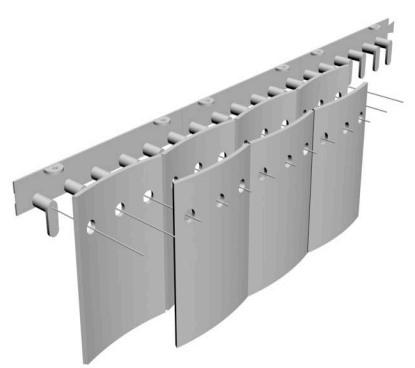
4" PVC Strips – 100% Overlap



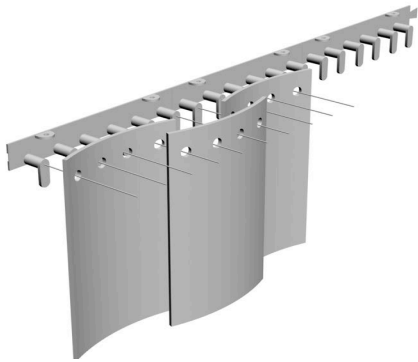
6" PVC Strips – 67% Overlap



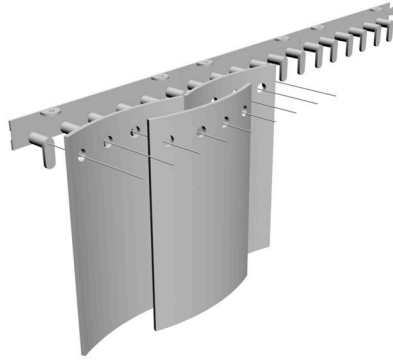
6" PVC Strips – 100% Overlap



8" PVC Strips – 50% Overlap



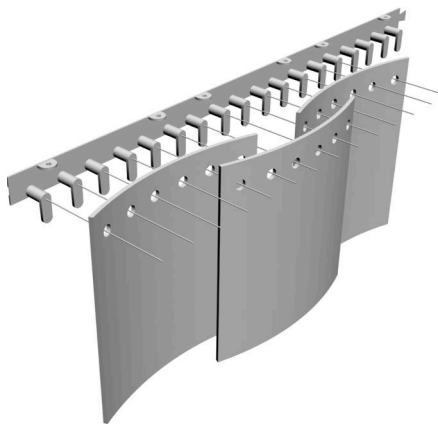
8" PVC Strips – 100% Overlap



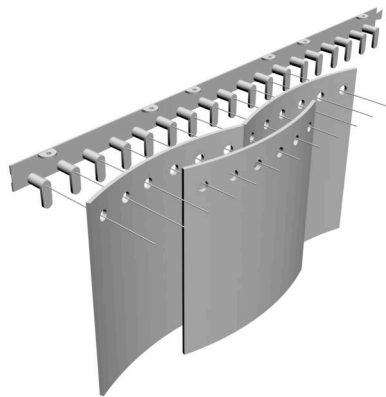
12" PVC Strips – 33% Overlap



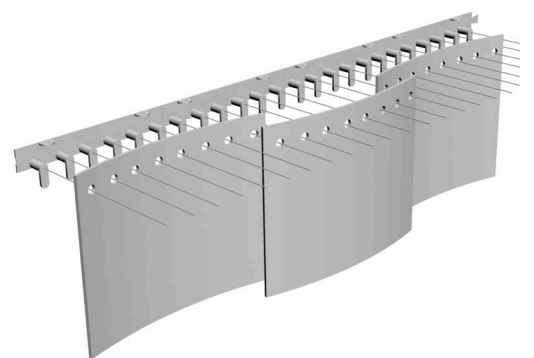
12" PVC Strips – 67% Overlap



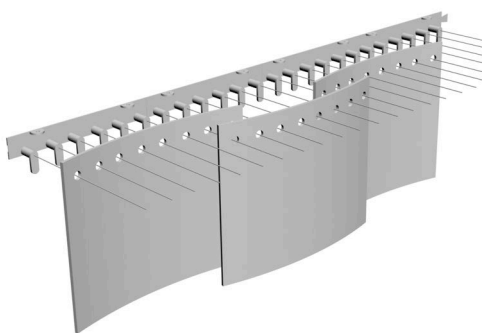
12" PVC Strips – 100% Overlap



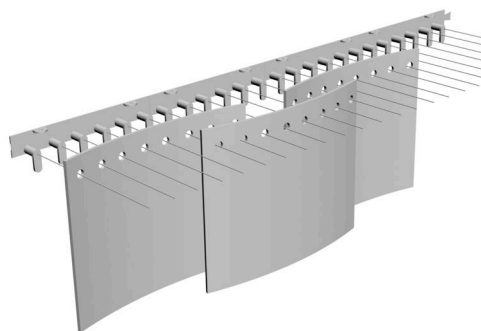
16" PVC Strips – 25% Overlap



16" PVC Strips – 50% Overlap



16" PVC Strips – 75% Overlap



16" PVC Strips – 100% Overlap

